

## ARTICULO: 2416

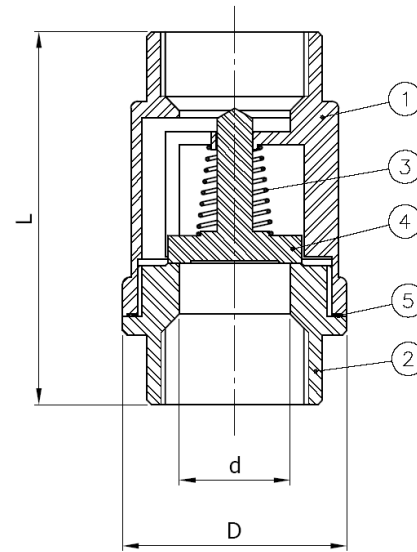
### Válvula de retención a disco, extremos roscados Single disk check valve, threaded ends

#### Características

1. Válvula de retención a disco.
2. Extremos roscados según ISO 7-1 (EN 10226-1).
3. Construcción en Acero Inox. 1.4408 (CF8M).
4. Disco en Acero Inox. 1.4408 (CF8M).
5. Resorte en Acero Inox. AISI 316.
6. Dimensiones reducidas.
7. Cierre metal – metal.
8. Presión de trabajo máxima 63 bar.
9. Temperatura de trabajo -20°C +240°C.

#### Features

1. Single disk check valve.
2. Threaded ends acc. to ISO 7-1 (EN 10226-1).
3. Made of Stainless Steel 1.4408 (CF8M).
4. Disk made of Stainless Steel 1.4408 (CF8M).
5. Spring made of Stainless Steel AISI 316.
6. Small dimensions.
7. Metal to metal sealing.
8. Max. working pressure 63 bar.
9. Working Temperature -20°C +240°C.

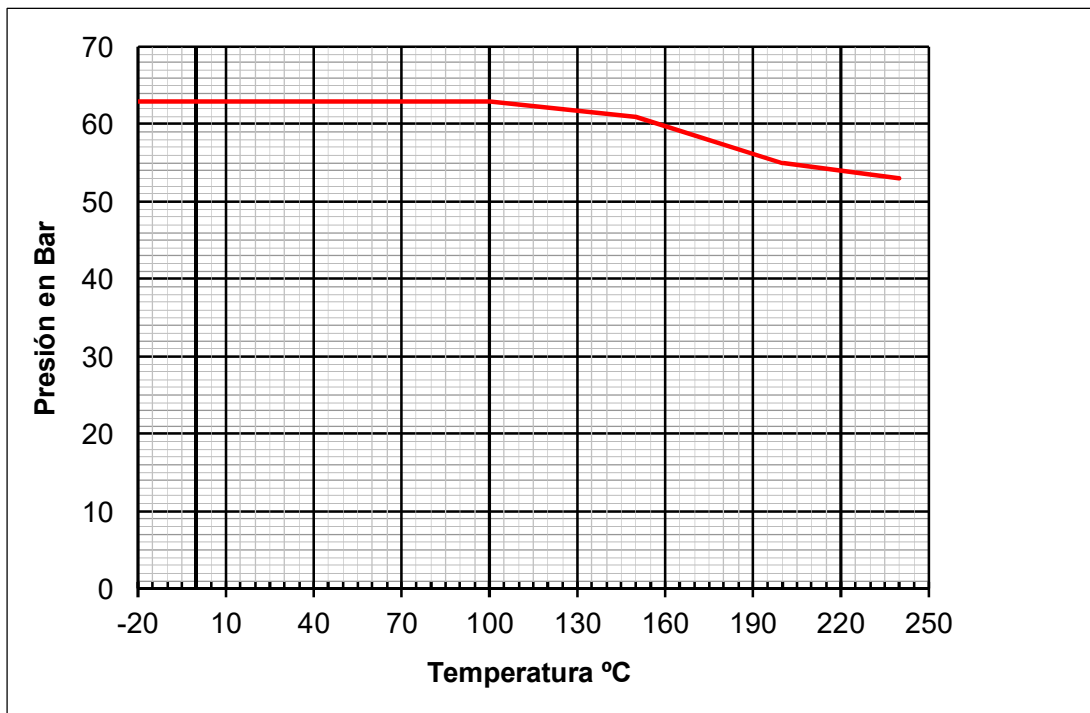


| Nº | Denominación / Name | Material                                  | Acabado Superficial / Surface Treatment |
|----|---------------------|-------------------------------------------|-----------------------------------------|
| 1  | Cuerpo / Body       | Acero Inox. / Stainless Steel<br>1.4408   | Granallado / Shot blasting              |
| 2  | Tapa / Cap          | Acero Inox. / Stainless Steel<br>1.4408   | Granallado / Shot blasting              |
| 3  | Muelle / Spring     | Acero Inox. / Stainless Steel<br>AISI 316 | -----                                   |
| 4  | Disco / Disk        | Acero Inox. / Stainless Steel<br>1.4408   | Granallado / Shot blasting              |
| 5  | Junta / Gasket      | PTFE                                      | -----                                   |

## DIMENSIONES GENERALES / GENERAL DIMENSIONS:

| Ref.    | Medida/Size | DN  | PN | Dimensiones/Dimensions (mm) |       |     | Opening Pressure ↑ (mbar) | Peso/Weight (Kg) |
|---------|-------------|-----|----|-----------------------------|-------|-----|---------------------------|------------------|
|         |             |     |    | d                           | D     | L   |                           |                  |
| 2416 02 | 1/4"        | 8   | 63 | 8                           | 30,5  | 53  | 80~90                     | 0,170            |
| 2416 03 | 3/8"        | 10  | 63 | 10                          | 30,5  | 53  | 60~70                     | 0,160            |
| 2416 04 | 1/2"        | 15  | 63 | 15                          | 37    | 56  | 55~65                     | 0,210            |
| 2416 05 | 3/4"        | 20  | 63 | 20                          | 42    | 63  | 50~60                     | 0,290            |
| 2416 06 | 1"          | 25  | 63 | 25                          | 48    | 74  | 45~50                     | 0,410            |
| 2416 07 | 1 1/4"      | 32  | 63 | 30                          | 58    | 81  | 35~40                     | 0,660            |
| 2416 08 | 1 1/2"      | 40  | 63 | 38                          | 70    | 91  | 25~30                     | 0,990            |
| 2416 09 | 2 "         | 50  | 63 | 47                          | 82    | 97  | 25~30                     | 1,420            |
| 2416 10 | 2 1/2"      | 65  | 63 | 61                          | 102,5 | 118 | 25~30                     | 2,440            |
| 2416 11 | 3"          | 80  | 63 | 75                          | 120   | 138 | 20~25                     | 3,800            |
| 2416 12 | 4"          | 100 | 63 | 94                          | 150   | 158 | 20~25                     | 6,600            |

## CURVA PRESIÓN TEMPERATURA / PRESSURE TEMPERATURE RATING



### VALORES DE Kv / Kv VALUES

Kv = Es la cantidad de metros cúbicos por hora ( $m^3/h$ ) que pasará a través de la válvula generando una pérdida de carga de 1 bar.

*Kv = Flow rate of water in cubic meter per hour ( $m^3/h$ ) that will generate a pressure drop of 1 bar across the valve.*

| 1/4" | 3/8" | 1/2" | 3/4" | 1"   | 1 1/4" | 1 1/2" | 2"   | 2 1/2" | 3" | 4"  |
|------|------|------|------|------|--------|--------|------|--------|----|-----|
| 0,18 | 1,11 | 3,3  | 7,1  | 12,7 | 14,1   | 22,5   | 31,5 | 54     | 75 | 110 |

شرکت فنی مهندسی کنترل تک فعال در زمینه ی فروش ، مشاوره فنی رایگان و آموزش ابزار دقیق

Controltak@Gmail.com    WWW.CONTROLTAK.COM    @ControlTak    اینستاگرام Control-Tak    تلگرام  
تماس : 02166479486    09190345384